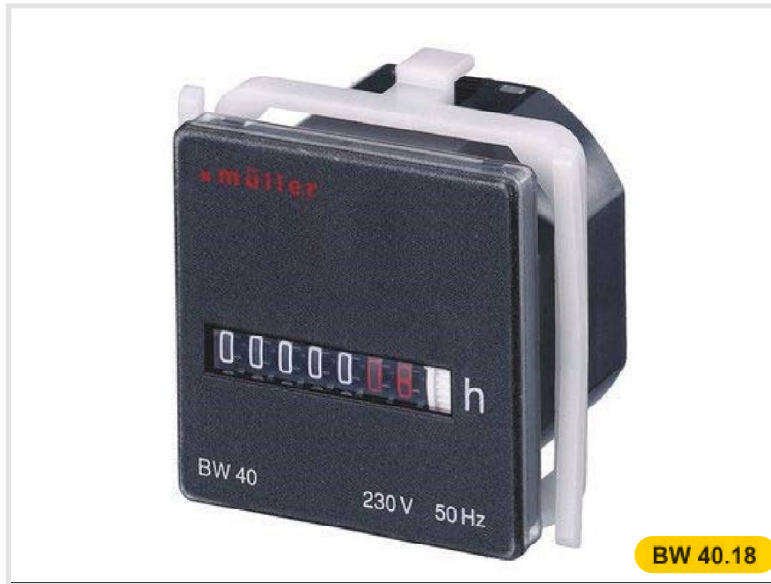


# ELAPSED TIME COUNTER

müller BW 40 - BG 40



**BW 40.18**



BG 40.27



BG 40.37

## Accessories



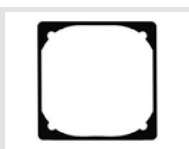
Trim 55 x 55



Mask 72 x 72



Mask Ø 72mm



IP54-Seal



Self-adhesive seal



Adapter for BW 40.x8



Terminal cover for BW 40.88

## Overview

- Large format numerals 4.4 mm in height
- Easy to connect – screw terminals accessible from rear
- Attachments for other cutouts, see accessory
- Ring seal for IP 54 – also seals front panel cutout
- BG: quartz stabilized
- BG: large voltage ranges

## Highlights

- with retaining clip
- with universal connections
- touch proof connections to VBG4
- low-noise
- BW: Alternating current
- BG: Direct current quartz

## Intended use

- The device fits for the particular use of the following tasks: summed measuring of operating hours in control cabinets and plants, operating hours of pumps and machines.

## Supply voltage versions

- **BW 40 Alternating current**  
230V 50Hz [Standard]  
115V 50 Hz  
24V 50Hz  
other supply voltage versions on request
- **BG 40 Direct current**  
12-48 VDC [Standard]  
5-24 VDC  
36-120 VDC  
other supply voltage versions on request

## Order numbers

|          |                    |
|----------|--------------------|
| ■ müller |                    |
| BG 40.17 | DC / Front 48x48mm |
| BW 40.18 | AC / Front 48x48mm |
| BG 40.27 | DC / Front 55x55mm |
| BW 40.28 | AC / Front 55x55mm |
| BG 40.37 | DC / Front 72x72mm |
| BW 40.38 | AC / Front 72x72mm |

Technische Änderungen vorbehalten.

# ELAPSED TIME COUNTER

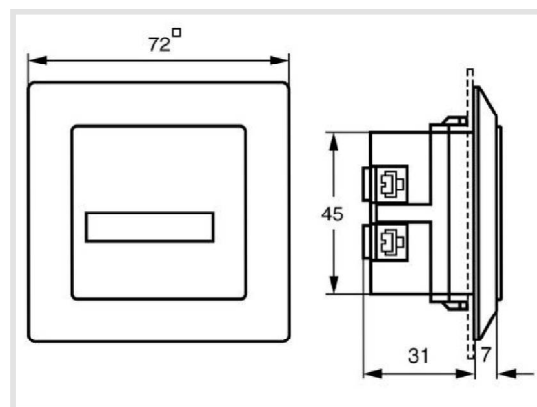
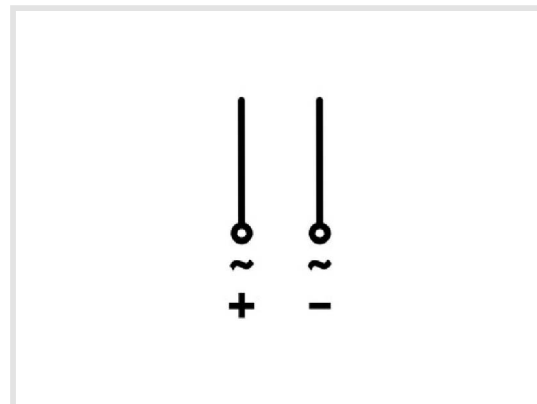
## müller BW 40 - BG 40

### Technical data BW 40 alternating current

|                                                 |                                                                          |
|-------------------------------------------------|--------------------------------------------------------------------------|
| Supply voltages<br>(please state when ordering) | 230 V, 50 Hz (Standard)<br>alt. 115 V, 50 Hz<br>alt. 24V, 50 Hz          |
| Special voltages                                | on request                                                               |
| Optional frequency                              | 60 Hz                                                                    |
| Voltage tolerance                               | ±15%                                                                     |
| Power consumption (real power)                  | 0,15 W                                                                   |
| Counter capacity                                | 99.999 h.                                                                |
| Accuracy of reading                             | 0,01 h.                                                                  |
| Numeral height                                  | 4,4 mm                                                                   |
| Numeral colour                                  | white, decimal figures red                                               |
| Operation indicator                             | fast-running wheel                                                       |
| Permitted ambient temperature                   | -15°...+55°C                                                             |
| Housing                                         | self-extinguishing thermoplastic                                         |
| Mounting                                        | Panel                                                                    |
| Mounting aperture                               | Square: 45 x 45 mm<br>Circle: Ø 50,5 mm                                  |
| Type of connection                              | Universal: Screw, soldered and<br>6.3 x 0.8 mm AMP plug-type connections |
| Type of protection                              | Front IP 50 to DIN EN 60529<br>(with ring seal 101.003.004: IP 54)       |
| Class of protection                             | II when fitted in accordance with regulations                            |

### Technical data BG 40 direct current

|                                                 |                                                                          |
|-------------------------------------------------|--------------------------------------------------------------------------|
| Supply voltages<br>(please state when ordering) | 12-48 VDC (Standard)<br>alt. 5-24 VDC<br>alt. 36-120 VDC                 |
| Special voltages                                | on request                                                               |
| Voltage tolerance                               | ±10%                                                                     |
| Power consumption (real power)                  | ca. 20 mW at 12 VDC                                                      |
| Counter capacity                                | 999.999 h.                                                               |
| Accuracy of reading                             | 0,1 h.                                                                   |
| Numeral height                                  | 4,4 mm                                                                   |
| Numeral colour                                  | white, decimal figures red                                               |
| Operation indicator                             | fast-running wheel                                                       |
| Permitted ambient temperature                   | -10°...+50°C                                                             |
| Housing                                         | self-extinguishing thermoplastic                                         |
| Mounting                                        | Panel                                                                    |
| Mounting aperture                               | Square: 45 x 45 mm<br>Circle: Ø 50,5 mm                                  |
| Type of connection                              | Universal: Screw, soldered and<br>6.3 x 0.8 mm AMP plug-type connections |
| Type of protection                              | Front IP 50 to DIN EN 60529<br>(with ring seal 101.003.004: IP 54)       |
| Class of protection                             | III (bis 48 VDC) when fitted in accordance<br>with regulations           |



Technische Änderungen vorbehalten.